

TECHNICAL SPECIFICATIONS

ARTIK 3



TECHNICAL DATA

ARTIK 3			21	23	25	27	29
CELLS	NUMBER		62	62	62	62	62
	CLOSED		8	8	8	8	8
	BOX		21	21	21	21	21
FLAT	AREA	M2	21	23	24,5	26,5	29
	SPAN	M	11,13	11,65	12,02	12,5	13,08
	ASPECT RATIO		5,9	5,9	5,9	5,9	5,9
PROJECTED	AREA	M2	17,82	19,51	20,78	22,48	24,6
	SPAN		8,76	9,17	9,46	9,84	10,29
	ASPECT RATIO		4,3	4,3	4,3	4,3	4,3
FLATTENING		%	15	15	15	15	15
CORD	MAXIMUM		2,37	2,48	2,56	2,66	2,79
	MINIMUM		0,52	0,54	0,56	0,58	0,61
	AVERAGE		1,88	1,97	2,03	2,12	2,21
LINES	TOTAL METERS	M	243	254	263	274	287
	HEIGHT	M	6,68	6,99	7,21	7,5	7,85
	NUMBER		134	134	134	134	134
	MAIN		3/4/2	3/4/2	3/4/2	3/4/2	3/4/2
RISERS	NUMBER	3	A/B/C	A/B/C	A/B/C	A/B/C	A/B/C
	TRIMS	m/m	NO	NO	NO	NO	NO
	ACCELERATOR	m/m	130	130	160	160	160
TOTAL WEIGHT	MINIMUM	KG	59	60	75	90	105
IN FLIGHT	MAXIMUM	KG	70	80	95	110	130
GLIDER WEIGHT		KG	5,2	5,4	5,7	5,9	6,3
CERTIFICATION		EN	C	C	C	C	C

MATERIALS TECHNICAL DATA

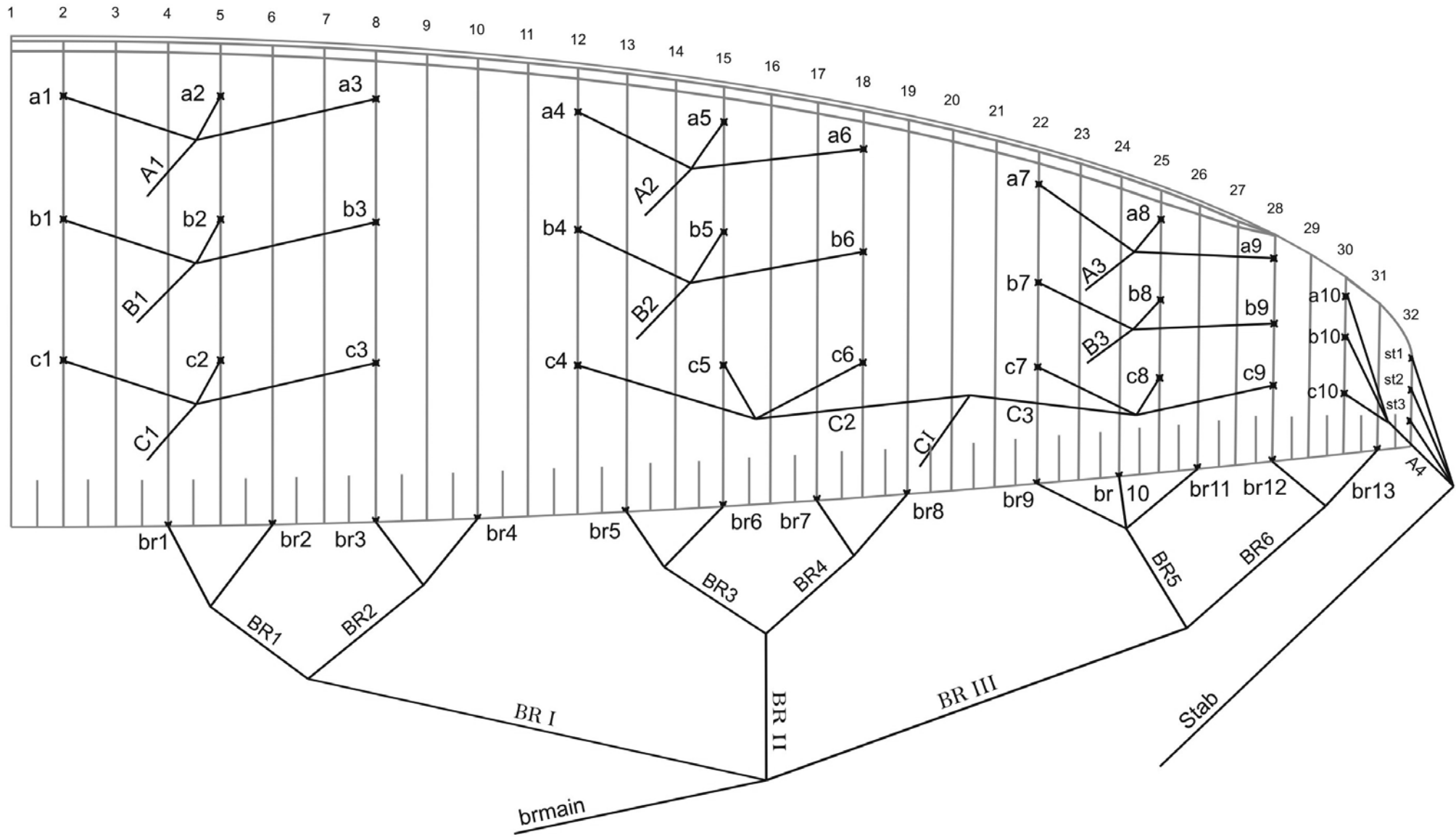
CANOPY	FABRIC CODE	SUPPLIER
UPPER SURFACE	SKYTEX 40 9017 E77	PORCHER IND (FRANCE)
BOTTOM SURFACE	N 20D MF	DOMINICO TEX CO (KOREA)
RIBS WITHOUT LINES	30D FM	DOMINICO TEX CO (KOREA)
RIBS WITH LINES	SKYTEX 40 9017 E29	PORCHER IND (FRANCE)
DIAGONALS	30D FM	DOMINICO TEX CO (KOREA)
LOOPS	LKI - 10	KOLON IND. (KOREA)
REINFORCEMENT LOOPS	W-420	D-P (GERMANY)
TRAILING EDGE REINFORCEMENT	MYLAR	D-P (GERMANY)
RIBS REINFORCEMENT	NYLON STICK	R.P.CHINA
THREAD	SERAFIL 60	AMAN (GERMANY)

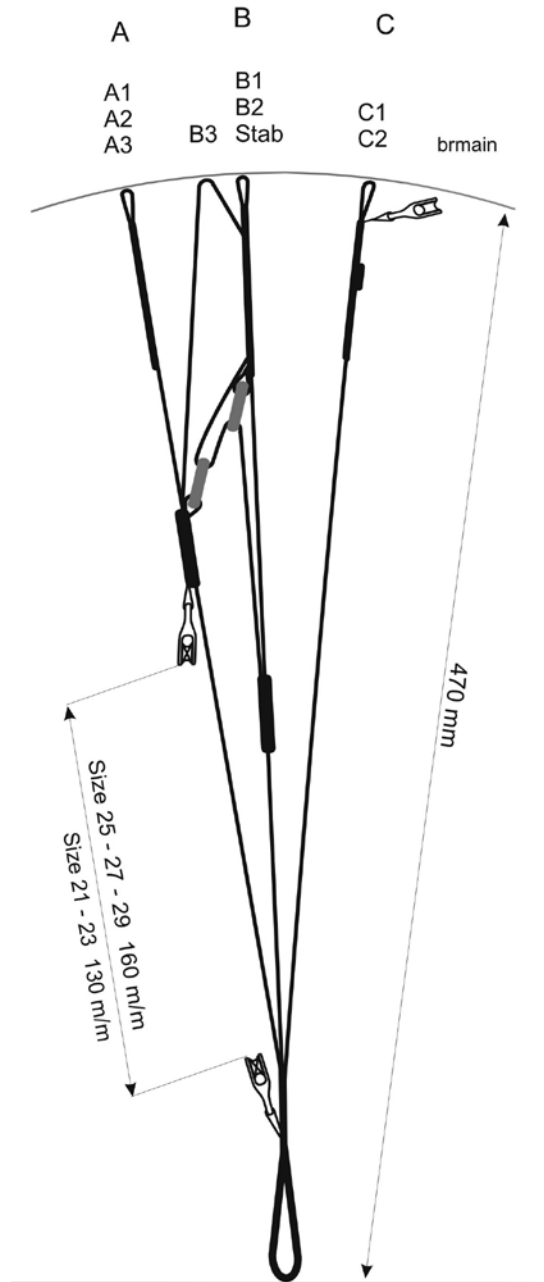
SUSPENSION LINES	FABRIC CODE	SUPPLIER
UPPER CASCADES	DC-040	LIROS GMHB (GERMANY)
UPPER CASCADES	A-8000-045	EDELRID (GERMANY)
UPPER CASCADES	A-8000-060	EDELRID (GERMANY)
UPPER CASCADES	A-8000-080	EDELRID (GERMANY)
MIDDLE CASCADES	DC-060	LIROS GMHB (GERMANY)
MIDDLE CASCADES	A-8000-060	EDELRID (GERMANY)
MIDDLE CASCADES	TNL - 140	TEIJIM LIMITED (JAPAN)
MAIN	TNL - 080	TEIJIM LIMITED (JAPAN)
MAIN	TNL - 140	TEIJIM LIMITED (JAPAN)
MAIN	TNL - 220	TEIJIM LIMITED (JAPAN)
MAIN	TNL - 280	TEIJIM LIMITED (JAPAN)
MAIN BREAK	TNL - 400	TEIJIM LIMITED (JAPAN)
THREAD	SERAFIL 60	AMAN (GERMANY)

SUSPENSION LINES RACE	FABRIC CODE	SUPPLIER
UPPER CASCADES	DC-040	LIROS GMHB (GERMANY)
UPPER CASCADES	A-8000-045	EDELRID (GERMANY)
UPPER CASCADES	A-8000-060	EDELRID (GERMANY)
UPPER CASCADES	A-8000-080	EDELRID (GERMANY)
MIDDLE CASCADES	DC-060	LIROS GMHB (GERMANY)
MIDDLE CASCADES	A-8000-060	EDELRID (GERMANY)
MIDDLE CASCADES	A-8000-135	EDELRID (GERMANY)
MAIN	A-8000-060	EDELRID (GERMANY)
MAIN	A-8000-135	EDELRID (GERMANY)
MAIN	A-8000-200	EDELRID (GERMANY)
MAIN	A-8000-240	EDELRID (GERMANY)
MAIN BREAK	TNL - 400	TEIJIM LIMITED (JAPAN)

RISERS	FABRIC CODE	SUPPLIER
MATERIAL	3455	COUSIN (FRANCE)
COLOR INDICATOR	PAD	TECNI SANGLES (FRANCE)
THREAD	V138	COATS (ENGLAND)
MAILLONS	MRDI03.5 S12	PEGUET (FRANCE)
PULLEYS	224	HARKEN (USA)

SUSPENSION PLAN





COLORS TECHNICAL DATA

SKY	1	ROYAL BLUE	MAIN TOP	REF: 317
	2	BLACK	HORNS	REF: 102
	3	WHITE	SHADOW	REF: 001
	4	ROYAL BLUE	MAIN BOTTOM	REF: 317
	5	ORANGE	VOLUME SHADOW	REF: 744



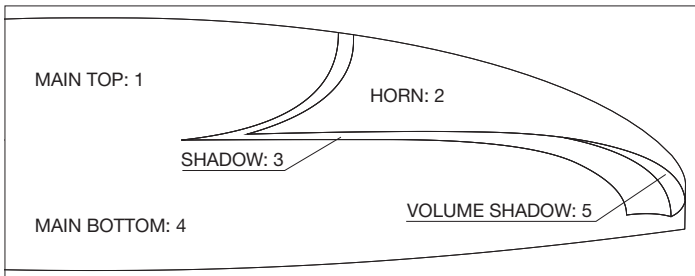
CHERRY	1	DARK RED	MAIN TOP	REF: 615
	2	WHITE	HORNS	REF: 001
	3	ORANGE	SHADOW	REF: 744
	4	DARK RED	MAIN BOTTOM	REF: 615
	5	BLACK	VOLUME SHADOW	REF: 102



SANGRIA	1	RUBI	MAIN TOP	REF: NK259
	2	BLACK	HORNS	REF: 102
	3	WHITE	SHADOW	REF: 001
	4	RUBI	MAIN BOTTOM	REF: NK259
	5	DARK GREY	VOLUME SHADOW	REF: 121



NIMBUS	1	GREY BLUE	MAIN TOP	REF: NK405
	2	LIGHT GREEN	HORNS	REF: 521
	3	WHITE	SHADOW	REF: 001
	4	GREY BLUE	MAIN BOTTOM	REF: NK405
	5	BLACK	VOLUME SHADOW	REF: 102



WING LOAD TECHNICAL DATA

ARTIK 3	21		23		25		27		29	
	P.T.V.	KG/M2	P.T.V.	KG/M2	P.T.V.	KG/M2	P.T.V.	KG/M2	P.T.V.	KG/M2
	59	= 2,81	60	= 2,61	75	= 3,06	90	= 3,40	105	= 3,62
	60	= 2,86	61	= 2,65	76	= 3,10	91	= 3,43	106	= 3,66
	61	= 2,90	62	= 2,70	77	= 3,14	92	= 3,47	107	= 3,69
	62	= 2,95	63	= 2,74	78	= 3,18	93	= 3,51	108	= 3,72
	63	= 3,00	64	= 2,78	79	= 3,22	94	= 3,55	109	= 3,76
	64	= 3,05	65	= 2,83	80	= 3,27	95	= 3,58	110	= 3,79
	65	= 3,10	66	= 2,87	81	= 3,31	96	= 3,62	111	= 3,83
	66	= 3,14	67	= 2,91	82	= 3,35	97	= 3,66	112	= 3,86
	67	= 3,19	68	= 2,96	83	= 3,39	98	= 3,70	113	= 3,90
	68	= 3,24	69	= 3,00	84	= 3,43	99	= 3,74	114	= 3,93
	69	= 3,29	70	= 3,04	85	= 3,47	100	= 3,77	115	= 3,97
	70	= 3,33	71	= 3,09	86	= 3,51	101	= 3,81	116	= 4,00
			72	= 3,13	87	= 3,55	102	= 3,85	117	= 4,03
			73	= 3,17	88	= 3,59	103	= 3,89	118	= 4,07
			74	= 3,22	89	= 3,63	104	= 3,92	119	= 4,10
			75	= 3,26	90	= 3,67	105	= 3,96	120	= 4,14
			76	= 3,30	91	= 3,71	106	= 4,00	121	= 4,17
			77	= 3,35	92	= 3,76	107	= 4,04	122	= 4,21
			78	= 3,39	93	= 3,80	108	= 4,08	123	= 4,24
			79	= 3,43	94	= 3,84	109	= 4,11	124	= 4,28
			80	= 3,48	95	= 3,88	110	= 4,15	125	= 4,31

LINES TECHNICAL DATA

ARTIK 3 21

REF.	CODE	m/m	REF.	CODE	m/m	REF.	CODE	m/m	REF.	CODE	m/m
A			B			C			BRAKE		
a1	A-8000-080	2.407	b1	A-8000-080	2.377	c1	A-8000-080	1.649	br1	DC-040-wht	695
a2	A-8000-080	2.305	b2	A-8000-080	2.275	c2	A-8000-080	1.497	br2	DC-040-wht	537
a3	A-8000-080	2.297	b3	A-8000-080	2.269	c3	A-8000-080	1.524	br3	DC-040-wht	612
a4	A-8000-080	2.197	b4	A-8000-080	2.167	c4	A-8000-060	1.523	br4	DC-040-wht	623
a5	A-8000-080	2.104	b5	A-8000-080	2.081	c5	A-8000-060	1.360	br5	DC-040-wht	608
a6	A-8000-080	2.101	b6	A-8000-080	2.087	c6	A-8000-060	1.361	br6	DC-040-wht	492
a7	A-8000-060	1.825	b7	A-8000-060	1.804	c7	A-8000-060	1.191	br7	DC-040-wht	494
a8	A-8000-045	1.699	b8	A-8000-045	1.695	c8	A-8000-045	1.148	br8	DC-040-wht	554
a9	A-8000-045	1.633	b9	A-8000-045	1.639	c9	A-8000-045	1.203	br9	DC-040-wht	803
a10	A-8000-045	1.213	b10	A-8000-045	1.183	c10	A-8000-045	1.212	br10	DC-040-wht	691
st1	A-8000-045	1.459	st2	A-8000-045	1.468	st3	A-8000-045	1.493	br11	DC-040-wht	693
									br12	DC-040-wht	683
									br13	DC-040-wht	662
A4	A-8000-060	393				C2	TNL-140-blue	1.685	BR1	DC-060-wht	913
						C3	TNL-140-blue	1.761	BR2	DC-060-wht	709
									BR3	DC-060-wht	665
									BR4	DC-060-wht	630
									BR5	DC-060-wht	569
									BR6	DC-060-wht	531
A1	TNL-280-green	3.789	B1	TNL-220-blue	3.732	C1	TNL-280-blue	4.587	BRI	TNL-080-red	3.514
A2	TNL-280-green	3.812	B2	TNL-220-blue	3.774	CI	TNL-280-blue	2.886t	BRII	TNL-080-red	3.346
A3	TNL-140-green	3.951	B3	TNL-140-blue	3.936				BRIII	TNL-080-red	3.052
			stab	TNL-080-red	3.827				brmain	TNL-280-red	1.882
									Point a:	1.682	

LINES TECHNICAL DATA

ARTIK 3			21			RACE					
REF.	CODE	m/m	REF.	CODE	m/m	REF.	CODE	m/m	REF.	CODE	m/m
A			B			C			BRAKE		
a1	A-8000-080	2.407	b1	A-8000-080	2.377	c1	A-8000-080	1.649	br1	DC-040-wht	695
a2	A-8000-080	2.305	b2	A-8000-080	2.275	c2	A-8000-080	1.497	br2	DC-040-wht	537
a3	A-8000-080	2.297	b3	A-8000-080	2.269	c3	A-8000-080	1.524	br3	DC-040-wht	612
a4	A-8000-080	2.197	b4	A-8000-080	2.167	c4	A-8000-060	1.523	br4	DC-040-wht	623
a5	A-8000-080	2.104	b5	A-8000-080	2.081	c5	A-8000-060	1.360	br5	DC-040-wht	608
a6	A-8000-080	2.101	b6	A-8000-080	2.087	c6	A-8000-060	1.361	br6	DC-040-wht	492
a7	A-8000-060	1.825	b7	A-8000-060	1.804	c7	A-8000-060	1.191	br7	DC-040-wht	494
a8	A-8000-045	1.699	b8	A-8000-045	1.695	c8	A-8000-045	1.148	br8	DC-040-wht	554
a9	A-8000-045	1.633	b9	A-8000-045	1.639	c9	A-8000-045	1.203	br9	DC-040-wht	803
a10	A-8000-045	1.213	b10	A-8000-045	1.183	c10	A-8000-045	1.212	br10	DC-040-wht	691
st1	A-8000-045	1.459	st2	A-8000-045	1.468	st3	A-8000-045	1.493	br11	DC-040-wht	693
									br12	DC-040-wht	683
									br13	DC-040-wht	662
A4	A-8000-060	393				C2	A-8000-135	1.685	BR1	DC-060-wht	913
						C3	A-8000-135	1.761	BR2	DC-060-wht	709
									BR3	DC-060-wht	665
									BR4	DC-060-wht	630
									BR5	DC-060-wht	569
									BR6	DC-060-wht	531
A1	A-8000-240	3.789	B1	A-8000-200	3.732	C1	A-8000-200	4.587	BR I	DC-060-wht	3.514
A2	A-8000-240	3.812	B2	A-8000-200	3.774	CI	A-8000-200	2.886	BR II	DC-060-wht	3.346
A3	A-8000-135	3.951	B3	A-8000-135	3.936				BR III	DC-060-wht	3.052
			stab	A-8000-060	3.827				brmain	TNL-280-red	1.882
									Point a:		1.682

LINES TECHNICAL DATA

ARTIK 3 **23**

REF.	CODE	m/m	REF.	CODE	m/m	REF.	CODE	m/m	REF.	CODE	m/m
A			B			C			BRAKE		
a1	A-8000-080	2.517	b1	A-8000-080	2.487	c1	A-8000-080	1.724	br1	DC-040-wht	727
a2	A-8000-080	2.413	b2	A-8000-080	2.382	c2	A-8000-080	1.568	br2	DC-040-wht	562
a3	A-8000-080	2.406	b3	A-8000-080	2.377	c3	A-8000-080	1.597	br3	DC-040-wht	640
a4	A-8000-080	2.298	b4	A-8000-080	2.267	c4	A-8000-060	1.593	br4	DC-040-wht	652
a5	A-8000-080	2.202	b5	A-8000-080	2.179	c5	A-8000-060	1.423	br5	DC-040-wht	636
a6	A-8000-080	2.200	b6	A-8000-080	2.185	c6	A-8000-060	1.426	br6	DC-040-wht	515
a7	A-8000-060	1.910	b7	A-8000-060	1.888	c7	A-8000-060	1.247	br7	DC-040-wht	516
a8	A-8000-045	1.778	b8	A-8000-045	1.774	c8	A-8000-045	1.201	br8	DC-040-wht	580
a9	A-8000-045	1.709	b9	A-8000-045	1.716	c9	A-8000-045	1.259	br9	DC-040-wht	840
a10	A-8000-045	1.269	b10	A-8000-045	1.237	c10	A-8000-045	1.268	br10	DC-040-wht	724
st1	A-8000-045	1.526	st2	A-8000-045	1.536	st3	A-8000-045	1.563	br11	DC-040-wht	726
									br12	DC-040-wht	714
									br13	DC-040-wht	693
A4	A-8000-060	411				C2	TNL-140-blue	1.772	BR1	DC-060-wht	955
						C3	TNL-140-blue	1.858	BR2	DC-060-wht	743
									BR3	DC-060-wht	696
									BR4	DC-060-wht	660
									BR5	DC-060-wht	595
									BR6	DC-060-wht	557
A1	TNL-280-green	3.989	B1	TNL-220-blue	3.929	C1	TNL-280-blue	4.819	BRI	TNL-080-red	3.676
A2	TNL-280-green	4.017	B2	TNL-220-blue	3.977	CI	TNL-280-blue	3.034	BRII	TNL-080-red	3.502
A3	TNL-140-green	4.165	B3	TNL-140-blue	4.148				BRIII	TNL-080-red	3.198
			stab	TNL-080-red	4.036				brmain	TNL-280-red	2.012
									Point a:	1.812	

LINES TECHNICAL DATA

ARTIK 3			23			RACE					
REF.	CODE	m/m	REF.	CODE	m/m	REF.	CODE	m/m	REF.	CODE	m/m
A			B			C			BRAKE		
a1	A-8000-080	2.517	b1	A-8000-080	2.487	c1	A-8000-080	1.724	br1	DC-040-wht	727
a2	A-8000-080	2.413	b2	A-8000-080	2.382	c2	A-8000-080	1.568	br2	DC-040-wht	562
a3	A-8000-080	2.406	b3	A-8000-080	2.377	c3	A-8000-080	1.597	br3	DC-040-wht	640
a4	A-8000-080	2.298	b4	A-8000-080	2.267	c4	A-8000-060	1.593	br4	DC-040-wht	652
a5	A-8000-080	2.202	b5	A-8000-080	2.179	c5	A-8000-060	1.423	br5	DC-040-wht	636
a6	A-8000-080	2.200	b6	A-8000-080	2.185	c6	A-8000-060	1.426	br6	DC-040-wht	515
a7	A-8000-060	1.910	b7	A-8000-060	1.888	c7	A-8000-060	1.247	br7	DC-040-wht	516
a8	A-8000-045	1.778	b8	A-8000-045	1.774	c8	A-8000-045	1.201	br8	DC-040-wht	580
a9	A-8000-045	1.709	b9	A-8000-045	1.716	c9	A-8000-045	1.259	br9	DC-040-wht	840
a10	A-8000-045	1.269	b10	A-8000-045	1.237	c10	A-8000-045	1.268	br10	DC-040-wht	724
st1	A-8000-045	1.526	st2	A-8000-045	1.536	st3	A-8000-045	1.563	br11	DC-040-wht	726
									br12	DC-040-wht	714
									br13	DC-040-wht	693
A4	A-8000-060	411				C2	A-8000-135	1.772	BR1	DC-060-wht	955
						C3	A-8000-135	1.858	BR2	DC-060-wht	743
									BR3	DC-060-wht	696
									BR4	DC-060-wht	660
									BR5	DC-060-wht	595
									BR6	DC-060-wht	557
A1	A-8000-240	3.989	B1	A-8000-200	3.929	C1	A-8000-200	4.819	BR I	DC-060-wht	3.676
A2	A-8000-240	4.017	B2	A-8000-200	3.977	CI	A-8000-200	3.034	BR II	DC-060-wht	3.502
A3	A-8000-135	4.165	B3	A-8000-135	4.148				BR III	DC-060-wht	3.198
			stab	A-8000-060	4.036				brmain	TNL-280-red	2.012
									Point a:		1.812

LINES TECHNICAL DATA

ARTIK 3 **25**

REF.	CODE	m/m	REF.	CODE	m/m	REF.	CODE	m/m	REF.	CODE	m/m
A			B			C			BRAKE		
a1	A-8000-080	2597	b1	A-8000-080	2566	c1	A-8000-060	1779	br1	DC-040-wht	750
a2	A-8000-080	2491	b2	A-8000-080	2458	c2	A-8000-060	1618	br2	DC-040-wht	580
a3	A-8000-080	2485	b3	A-8000-080	2455	c3	A-8000-060	1649	br3	DC-040-wht	660
a4	A-8000-080	2371	b4	A-8000-080	2339	c4	A-8000-060	1643	br4	DC-040-wht	673
a5	A-8000-080	2273	b5	A-8000-080	2249	c5	A-8000-060	1469	br5	DC-040-wht	656
a6	A-8000-080	2271	b6	A-8000-080	2256	c6	A-8000-060	1473	br6	DC-040-wht	532
a7	A-8000-060	1971	b7	A-8000-060	1948	c7	A-8000-060	1287	br7	DC-040-wht	533
a8	A-8000-045	1835	b8	A-8000-045	1831	c8	A-8000-045	1239	br8	DC-040-wht	599
a9	A-8000-045	1764	b9	A-8000-045	1771	c9	A-8000-045	1299	br9	DC-040-wht	867
a10	A-8000-045	1309	b10	A-8000-045	1276	c10	A-8000-045	1308	br10	DC-040-wht	747
st1	A-8000-045	1575	st2	A-8000-045	1585	st3	A-8000-045	1612	br11	DC-040-wht	749
									br12	DC-040-wht	737
									br13	DC-040-wht	715
A4	A-8000-060	425				C2	TNL-140-blue	1843	BR1	DC-060-wht	986
						C3	TNL-140-blue	1928	BR2	DC-060-wht	767
									BR3	DC-060-wht	718
									BR4	DC-060-wht	682
									BR5	DC-060-wht	614
									BR6	DC-060-wht	575
A1	TNL-280-green	4128	B1	TNL-220-blue	4067	C1	TNL-220-blue	4989	BRI	TNL-080-red	3793
A2	TNL-280-green	4165	B2	TNL-220-blue	4124	CI	TNL-220-blue	3142	BRII	TNL-080-red	3615
A3	TNL-140-green	4318	B3	TNL-140-blue	4301				BRIII	TNL-080-red	3304
			stab	TNL-080-red	4186				brmain	TNL-280-red	2063
									Point a:		1863

LINES TECHNICAL DATA

ARTIK 3			25			RACE					
REF.	CODE	m/m	REF.	CODE	m/m	REF.	CODE	m/m	REF.	CODE	m/m
A			B			C			BRAKE		
a1	A-8000-080	2597	b1	A-8000-080	2566	c1	A-8000-060	1779	br1	DC-040-wht	750
a2	A-8000-080	2491	b2	A-8000-080	2458	c2	A-8000-060	1618	br2	DC-040-wht	580
a3	A-8000-080	2485	b3	A-8000-080	2455	c3	A-8000-060	1649	br3	DC-040-wht	660
a4	A-8000-080	2371	b4	A-8000-080	2339	c4	A-8000-060	1643	br4	DC-040-wht	673
a5	A-8000-080	2273	b5	A-8000-080	2249	c5	A-8000-060	1469	br5	DC-040-wht	656
a6	A-8000-080	2271	b6	A-8000-080	2256	c6	A-8000-060	1473	br6	DC-040-wht	532
a7	A-8000-060	1971	b7	A-8000-060	1948	c7	A-8000-060	1287	br7	DC-040-wht	533
a8	A-8000-045	1835	b8	A-8000-045	1831	c8	A-8000-045	1239	br8	DC-040-wht	599
a9	A-8000-045	1764	b9	A-8000-045	1771	c9	A-8000-045	1299	br9	DC-040-wht	867
a10	A-8000-045	1309	b10	A-8000-045	1276	c10	A-8000-045	1308	br10	DC-040-wht	747
st1	A-8000-045	1575	st2	A-8000-045	1585	st3	A-8000-045	1612	br11	DC-040-wht	749
									br12	DC-040-wht	737
									br13	DC-040-wht	715
A4	A-8000-060	425				C2	A-8000-135	1843	BR1	DC-060-wht	986
						C3	A-8000-135	1928	BR2	DC-060-wht	767
									BR3	DC-060-wht	718
									BR4	DC-060-wht	682
									BR5	DC-060-wht	614
									BR6	DC-060-wht	575
A1	A-8000-240	4128	B1	A-8000-200	4067	C1	A-8000-200	4989	BR1	DC-060-wht	3793
A2	A-8000-240	4165	B2	A-8000-200	4124	CI	A-8000-200	3142	BR11	DC-060-wht	3615
A3	A-8000-135	4318	B3	A-8000-135	4301				BR111	DC-060-wht	3304
			stab	A-8000-060	4186				brmain	TNL-280-red	2063
									Point a:		1863

LINES TECHNICAL DATA

ARTIK 3 **27**

REF.	CODE	m/m	REF.	CODE	m/m	REF.	CODE	m/m	REF.	CODE	m/m
A			B			C			BRAKE		
a1	A-8000-080	2700	b1	A-8000-080	2667	c1	A-8000-060	1849	br1	DC-040-wht	780
a2	A-8000-080	2591	b2	A-8000-080	2557	c2	A-8000-060	1683	br2	DC-040-wht	604
a3	A-8000-080	2586	b3	A-8000-080	2555	c3	A-8000-060	1717	br3	DC-040-wht	686
a4	A-8000-080	2466	b4	A-8000-080	2432	c4	A-8000-060	1709	br4	DC-040-wht	700
a5	A-8000-080	2364	b5	A-8000-080	2339	c5	A-8000-060	1528	br5	DC-040-wht	682
a6	A-8000-080	2363	b6	A-8000-080	2347	c6	A-8000-060	1533	br6	DC-040-wht	554
a7	A-8000-060	2050	b7	A-8000-060	2026	c7	A-8000-060	1339	br7	DC-040-wht	553
a8	A-8000-045	1908	b8	A-8000-045	1905	c8	A-8000-045	1289	br8	DC-040-wht	623
a9	A-8000-045	1834	b9	A-8000-045	1842	c9	A-8000-045	1351	br9	DC-040-wht	902
a10	A-8000-045	1361	b10	A-8000-045	1327	c10	A-8000-045	1360	br10	DC-040-wht	777
st1	A-8000-045	1637	st2	A-8000-045	1648	st3	A-8000-045	1676	br11	DC-040-wht	780
									br12	DC-040-wht	766
									br13	DC-040-wht	744
A4	A-8000-060	442				C2	TNL-140-blue	1928	BR1	DC-060-wht	1025
						C3	TNL-140-blue	2017	BR2	DC-060-wht	799
									BR3	DC-060-wht	746
									BR4	DC-060-wht	710
									BR5	DC-060-wht	638
									BR6	DC-060-wht	599
A1	TNL-280-green	4318	B1	TNL-220-blue	4253	C1	TNL-220-blue	5209	BRI	TNL-080-red	3943
A2	TNL-280-green	4356	B2	TNL-220-blue	4313	CI	TNL-220-blue	3280	BRII	TNL-080-red	3761
A3	TNL-140-green	4516	B3	TNL-140-blue	4499				BRIII	TNL-080-red	3440
			stab	TNL-080-red	4379				brmain	TNL-280-red	2161
									Point a:		1961

LINES TECHNICAL DATA

ARTIK 3			27			RACE					
REF.	CODE	m/m	REF.	CODE	m/m	REF.	CODE	m/m	REF.	CODE	m/m
A			B			C			BRAKE		
a1	A-8000-080	2700	b1	A-8000-080	2667	c1	A-8000-060	1849	br1	DC-040-wht	780
a2	A-8000-080	2591	b2	A-8000-080	2557	c2	A-8000-060	1683	br2	DC-040-wht	604
a3	A-8000-080	2586	b3	A-8000-080	2555	c3	A-8000-060	1717	br3	DC-040-wht	686
a4	A-8000-080	2466	b4	A-8000-080	2432	c4	A-8000-060	1709	br4	DC-040-wht	700
a5	A-8000-080	2364	b5	A-8000-080	2339	c5	A-8000-060	1528	br5	DC-040-wht	682
a6	A-8000-080	2363	b6	A-8000-080	2347	c6	A-8000-060	1533	br6	DC-040-wht	554
a7	A-8000-060	2050	b7	A-8000-060	2026	c7	A-8000-060	1339	br7	DC-040-wht	553
a8	A-8000-045	1908	b8	A-8000-045	1905	c8	A-8000-045	1289	br8	DC-040-wht	623
a9	A-8000-045	1834	b9	A-8000-045	1842	c9	A-8000-045	1351	br9	DC-040-wht	902
a10	A-8000-045	1361	b10	A-8000-045	1327	c10	A-8000-045	1360	br10	DC-040-wht	777
st1	A-8000-045	1637	st2	A-8000-045	1648	st3	A-8000-045	1676	br11	DC-040-wht	780
									br12	DC-040-wht	766
									br13	DC-040-wht	744
A4	A-8000-060	442				C2	A-8000-135	1928	BR1	DC-060-wht	1025
						C3	A-8000-135	2017	BR2	DC-060-wht	799
									BR3	DC-060-wht	746
									BR4	DC-060-wht	710
									BR5	DC-060-wht	638
									BR6	DC-060-wht	599
A1	A-8000-240	4318	B1	A-8000-200	4253	C1	A-8000-200	5209	BR I	DC-060-wht	3943
A2	A-8000-240	4356	B2	A-8000-200	4313	CI	A-8000-200	3280	BR II	DC-060-wht	3761
A3	A-8000-135	4516	B3	A-8000-135	4499				BR III	DC-060-wht	3440
			stab	A-8000-060	4379				brmain	TNL-280-red	2161
									Point a:		1961

LINES TECHNICAL DATA

ARTIK 3

29

REF.	CODE	m/m	REF.	CODE	m/m	REF.	CODE	m/m	REF.	CODE	m/m
A			B			C			BRAKE		
a1	A-8000-080	2.824	b1	A-8000-080	2.789	c1	A-8000-080	1.933	br1	DC-040-wht	816
a2	A-8000-080	2.711	b2	A-8000-080	2.676	c2	A-8000-080	1.761	br2	DC-040-wht	632
a3	A-8000-080	2.707	b3	A-8000-080	2.675	c3	A-8000-080	1.798	br3	DC-040-wht	717
a4	A-8000-080	2.579	b4	A-8000-080	2.544	c4	A-8000-060	1.787	br4	DC-040-wht	732
a5	A-8000-080	2.473	b5	A-8000-080	2.447	c5	A-8000-060	1.599	br5	DC-040-wht	714
a6	A-8000-080	2.473	b6	A-8000-080	2.456	c6	A-8000-060	1.605	br6	DC-040-wht	580
a7	A-8000-060	2.144	b7	A-8000-060	2.120	c7	A-8000-060	1.401	br7	DC-040-wht	579
a8	A-8000-045	1.996	b8	A-8000-045	1.993	c8	A-8000-045	1.348	br8	DC-040-wht	652
a9	A-8000-045	1.919	b9	A-8000-045	1.927	c9	A-8000-045	1.413	br9	DC-040-wht	943
a10	A-8000-045	1.424	b10	A-8000-045	1.387	c10	A-8000-045	1.422	br10	DC-040-wht	813
st1	A-8000-045	1.712	st2	A-8000-045	1.723	st3	A-8000-045	1.753	br11	DC-040-wht	817
									br12	DC-040-wht	801
									br13	DC-040-wht	779
A4	A-8000-060	463				C2	TNL-140-blue	2.030	BR1	DC-060-wht	1.071
						C3	TNL-140-blue	2.125	BR2	DC-060-wht	837
									BR3	DC-060-wht	779
									BR4	DC-060-wht	743
									BR5	DC-060-wht	667
									BR6	DC-060-wht	628
A1	TNL-280-green	4.540	B1	TNL-220-blue	4.474	C1	TNL-280-blue	5.477	BRI	TNL-080-red	4.122
A2	TNL-280-green	4.584	B2	TNL-220-blue	4.539	CI	TNL-280-blue	3.445	BRII	TNL-080-red	3.935
A3	TNL-140-green	4.754	B3	TNL-140-blue	4.735				BRIII	TNL-080-red	3.602
			stab	TNL-080-red	4.611				brmain	TNL-280-red	2.278
									Point a:		2.078

LINES TECHNICAL DATA

ARTIK 3			RACE								
REF.	CODE	m/m	REF.	CODE	m/m	REF.	CODE	m/m	REF.	CODE	m/m
A			B			C			BRAKE		
a1	A-8000-080	2.824	b1	A-8000-080	2.789	c1	A-8000-080	1.933	br1	DC-040-wht	816
a2	A-8000-080	2.711	b2	A-8000-080	2.676	c2	A-8000-080	1.761	br2	DC-040-wht	632
a3	A-8000-080	2.707	b3	A-8000-080	2.675	c3	A-8000-080	1.798	br3	DC-040-wht	717
a4	A-8000-080	2.579	b4	A-8000-080	2.544	c4	A-8000-060	1.787	br4	DC-040-wht	732
a5	A-8000-080	2.473	b5	A-8000-080	2.447	c5	A-8000-060	1.599	br5	DC-040-wht	714
a6	A-8000-080	2.473	b6	A-8000-080	2.456	c6	A-8000-060	1.605	br6	DC-040-wht	580
a7	A-8000-060	2.144	b7	A-8000-060	2.120	c7	A-8000-060	1.401	br7	DC-040-wht	579
a8	A-8000-045	1.996	b8	A-8000-045	1.993	c8	A-8000-045	1.348	br8	DC-040-wht	652
a9	A-8000-045	1.919	b9	A-8000-045	1.927	c9	A-8000-045	1.413	br9	DC-040-wht	943
a10	A-8000-045	1.424	b10	A-8000-045	1.387	c10	A-8000-045	1.422	br10	DC-040-wht	813
st1	A-8000-045	1.712	st2	A-8000-045	1.723	st3	A-8000-045	1.753	br11	DC-040-wht	817
									br12	DC-040-wht	801
									br13	DC-040-wht	779
A4	A-8000-060	463				C2	A-8000-135	2.030	BR1	DC-060-wht	1.071
						C3	A-8000-135	2.125	BR2	DC-060-wht	837
									BR3	DC-060-wht	779
									BR4	DC-060-wht	743
									BR5	DC-060-wht	667
									BR6	DC-060-wht	628
A1	A-8000-240	4.540	B1	A-8000-200	4.474	C1	A-8000-200	5.477	BRI	DC-060-wht	4.122
A2	A-8000-240	4.584	B2	A-8000-200	4.539	CI	A-8000-200	3.445	BRII	DC-060-wht	3.935
A3	A-8000-135	4.754	B3	A-8000-135	4.735				BRIII	DC-060-wht	3.602
			stab	A-8000-060	4.611				brmain	TNL-280-red	2.278
									Point a:		2.078

NIVIUK ARTIK 3 21

LINES HEIGHT m/m				
	A	B	C	br
1	6191	6114	6231	6844
2	6089	6013	6080	6686
3	6081	6007	6106	6556
4	6009	5940	6083	6568
5	5916	5855	5920	6340
6	5913	5860	5921	6224
7	5776	5740	5828	6191
8	5650	5631	5784	6251
9	5584	5575	5840	6147
10	5419	5388	5418	6035
11	5286	5295	5321	6036
12				5988
13				5967

RISERS LENGHT m/m				
	A	B	C	
	470	470	470	STANDARD
	340	380	470	ACCELERATED

NIVIUK ARTIK 3 23

LINES HEIGHT m/m				
	A	B	C	br
1	6506	6416	6543	7170
2	6402	6311	6386	7005
3	6395	6307	6416	6870
4	6315	6244	6393	6883
5	6219	6156	6224	6646
6	6217	6162	6226	6525
7	6074	6036	6129	6491
8	5942	5922	6083	6554
9	5873	5864	6141	6446
10	5701	5669	5700	6329
11	5562	5571	5598	6331
12				6281
13				6260

RISERS LENGHT m/m				
	A	B	C	
	470	470	470	STANDARD
	340	380	470	ACCELERATED

NIVIUK ARTIK 3 25

LINES HEIGHT m/m				
	A	B	C	br
1	6725	6632	6768	7369
2	6618	6525	6608	7198
3	6612	6522	6639	7060
4	6537	6463	6627	7073
5	6438	6373	6453	6829
6	6437	6380	6457	6705
7	6289	6250	6356	6670
8	6153	6133	6309	6736
9	6082	6072	6368	6625
10	5920	5887	5920	6505
11	5760	5770	5798	6507
12				6456
13				6435

RISERS LENGHT m/m				
	A	B	C	
	470	470	470	STANDARD
	310	377	470	ACCELERATED

NIVIUK ARTIK 3 27

LINES HEIGHT m/m				
	A	B	C	br
1	7018	6920	7058	7708
2	6908	6810	6892	7532
3	6904	6808	6926	7388
4	6822	6745	6916	7402
5	6720	6652	6736	7150
6	6719	6660	6740	7021
7	6566	6525	6636	6985
8	6425	6403	6586	7055
9	6350	6340	6648	6940
10	6182	6148	6181	6816
11	6016	6027	6062	6819
12				6765
13				6744

RISERS LENGHT m/m				
	A	B	C	
	470	470	470	STANDARD
	310	377	470	ACCELERATED

LINES HEIGHT m/m

	A	B	C	br
1	7364	7261	7410	8088
2	7251	7148	7238	7904
3	7247	7147	7276	7754
4	7163	7083	7251	7770
5	7057	6986	7064	7507
6	7057	6995	7069	7373
7	6898	6855	6961	7336
8	6750	6728	6909	7409
9	6672	6662	6973	7290
10	6482	6446	6480	7160
11	6323	6334	6364	7164
12				7109
13				7087

RISERS LENGHT m/m

	A	B	C	
	470	470	470	STANDARD
	310	377	470	ACCELERATED

SUSPENSION TECHNICAL DATA

ARTIK 3

MATERIAL CODE		DC	DC	8000	A-8000	A-8000	TNL	TNL	TNL	TNL	TNL
STRENGTH CODE		040	060	045	060	080	080	140	220	280	400
DIAMETER M/M	Ø	0,5	0,6	0,5	0,6	0,8	1,1	1,4	1,6	1,8	2,3
CORE MATERIAL		DYNEEMA	DYNEEMA	TECHNORA	TECHNORA	TECHNORA	TECHNORA	TECHNORA	TECHNORA	TECHNORA	TECHNORA
SLEEVE MATERIAL		NO	NO	NO	NO	NO	POLYESTER	POLYESTER	POLYESTER	POLYESTER	POLYESTER
WEIGHT G/M	TOTAL	0,19	0,24	0,3	0,4	0,6	1,1	1,96	2,35	2,7	4
BREAKING STRENGTH	MINIMUM	40	60	50	65	90	80	140	220	280	460
	MAXIMUM	48	84	60	80	100	92	160	250	320	470
STRENGTH AFTER											
5.000 BENDING	TEST EN	33	74	27	40	58	36,7	76,1	114,2	134,7	160,1
CYCLES											
ELONGATION AT	5 daN en %			0,5	0,3	0,4	0,3	0,2	0,2	0,2	0,05
	10 daN en %		0,43	1	0,6	0,7	0,5	0,3	0,3	0,3	0,1
	15 daN en %			1,4	0,9	0,9	0,7	0,5	0,5	0,4	0,2
	20 daN en %			1,8	1,2	1,2	1	0,6	0,6	0,4	0,2
	25 daN en %			2,2	1,5	1,4	1,3	0,8	0,7	0,5	0,3
	30 daN en %		1,2	3,9	2,7	2,6	2,3	1,5	1,2	0,9	0,6
	75 daN en %				3,8	3,6	2,8	2,3	1,8	1,3	0,8
	100 daN en %					4,1		2,7	2,2	1,7	1,1
	125 daN en %							3,2	2,7	2	1,4
	150 daN en %								3	2,3	1,7
	175 daN en %								3,3	2,7	2
	200 daN en %								3,8	2,8	2,2
	250 daN en %										
ELONGATION MAX. BREAKING STRENGTH %		2,2	3,2	3,9	3,9	4,1	3	3,4	4	4,1	4,6

SUSPENSION TECHNICAL DATA

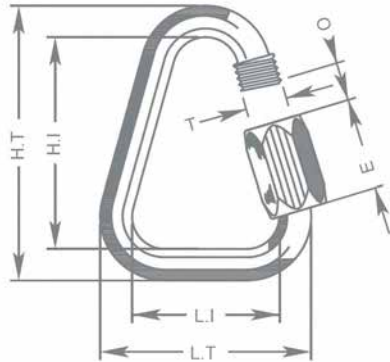
ARTIK 3 RACE										
MATERIAL CODE		DC	DC	8000	A-8000	A-8000	A-8000	A-8000	A-8000	TNL
STRENGTH CODE		040	060	045	060	080	135	200	240	280
DIAMETER M/M	Ø	0,5	0,6	0,5	0,6	0,8	1,1	1,3	1,6	1,8
CORE MATERIAL		DYNEEMA	DYNEEMA	TECHNORA	TECHNORA	TECHNORA	TECHNORA	TECHNORA	TECHNORA	TECHNORA
SLEEVE MATERIAL		NO	NO	NO	NO	NO	NO	NO	NO	POLYESTER
WEIGHT G/M	TOTAL	0,19	0,24	0,3	0,4	0,6	0,9	1,4	1,6	2,7
BREAKING STRENGTH	MINIMUM	40	60	50	65	90	135	230	300	280
	MAXIMUM	48	84	60	80	100	150	250	340	320
STRENGTH AFTER										
5.000 BENDING	TEST EN	33	74	27	40	58	84	142	185	134,7
CYCLES										
ELONGATION AT	5 daN en %			0,5	0,3	0,4	0,4	0,6	0,3	0,2
	10 daN en %		0,43	1	0,6	0,7	0,6	0,8	0,4	0,3
	15 daN en %			1,4	0,9	0,9	0,8	0,9	0,5	0,4
	20 daN en %			1,8	1,2	1,2	0,9	1,1	0,6	0,4
	25 daN en %			2,2	1,5	1,4	1,1	1,2	0,7	0,5
	30 daN en %		1,2	3,9	2,7	2,6	2		1,2	0,9
	75 daN en %				3,8	3,6	2,8	2,4	1,6	1,3
	100 daN en %					4,1	3,4	3	2,1	1,7
	125 daN en %									2
	150 daN en %							3,8	2,8	2,3
	175 daN en %									2,7
	200 daN en %							4,5	3,4	2,8
	250 daN en %									
ELONGATION MAX. BREAKING STRENGTH %		2,2	3,2	3,9	3,9	4,1	4,5	4,8	5,1	4,1

MAILLON & PULLEY TECHNICAL DATA

DESCRIPTION

MAILLON	DELTA
CODE	MRDI03.0 S10
MATERIAL	STAINLESS STEEL
SIZE	3 m/m
WEIGHT	5 G/PIECE

TECHNICAL SPECIFICATIONS



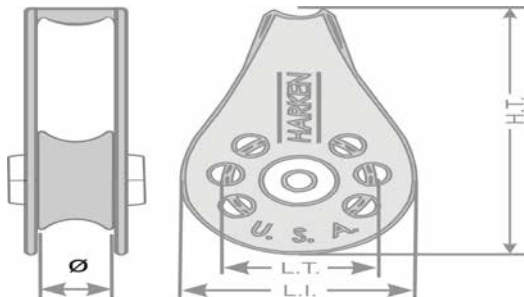
DIMENSIONS	m/m
L.T.	18
L.I.	12
H.T.	29
H.I.	23
O	4
E	9
T	4
LOAD	KG
WORKING LIMIT	110
BREAKING	550

SYSTEMATIC CONTROL OF MAILLON QUICK-LINKS BEFORE EVERY FLIGHT

DESCRIPTION

PULLEY	MICRO
CODE	224
MATERIAL	STAINLESS STEEL
BEARING	DELRIN®
WEIGHT	14 G/PIECE

TECHNICAL SPECIFICATIONS



DIMENSIONS	M/M
L.T.	22
L.I.	34
H.T.	38
H.I.	
Ø	6 MAX.
LOAD	KG
WORKING LIMIT	91
BREAKING	554

THREAD TECHNICAL DATA

SAIL MAKING

NAME	SERAFIL
N° OF REFERENCE	60
MATERIAL	POLYESTER
TYPE OF FINISH	SILK
LINEAR DENSITY	NM 61 / 3 (DTEX 163 * 3)
BREAKING STRENGTH	3,000 CN
ELONGATION	17 %

PROPERTIES SERAFIL

SOLIDITY ARTIFICIAL LIGHT	ISO 105 B02	> 5 - 6
SOLIDITY SWEAT	ISO 105 E04	> 4
SOLIDITY WASHING	ISO 105 C04	> 3
SOLIDITY GRAZE IN DRY	ISO 105 X12	> 4
SOLIDITY WASHING IN DRY	ISO 105 D01	> 3 - 4

TREATMENT WATER REPELLENT

WR

RISERS MAKING

NAME	COATS BONDED C.F.P.
N° OF REFERENCE	V138
MATERIAL	POLYESTER
TYPE OF FINISH	SILK
BREAKING STRENGTH	9,5 KG
ELONGATION	19 %

RISERS TECHNICAL DATA

RISERS

N° OF REFERENCE	3455
MATERIAL	POLYESTER & TECHNORA
WIDTH	12 M/M
THICKNESS	0,9 M/M
BREAKING STRENGTH	1,078 DAN
ELONGATION	MAX. 11 %
WEIGHT	9,1 G* L.M.
COLOR	BLACK

COLOR INDICATOR

N° OF REFERENCE	IC-G 1-2
MATERIAL	POLYESTER
WIDTH	70 M/M
THICKNESS	0,80 M/M
BREAKING STRENGTH	130 DN
ELONGATION	35 %
WEIGHT	32 G * L.M.
COLOR	GREEN

LOOPS

N° OF REFERENCE	LKI - 10
MATERIAL	NYLON
WIDTH	10 M/M
BREAKING STRENGTH	84 KG
ELONGATION	30 %
WEIGHT	5,5 G/M
COLOR	WHITE

